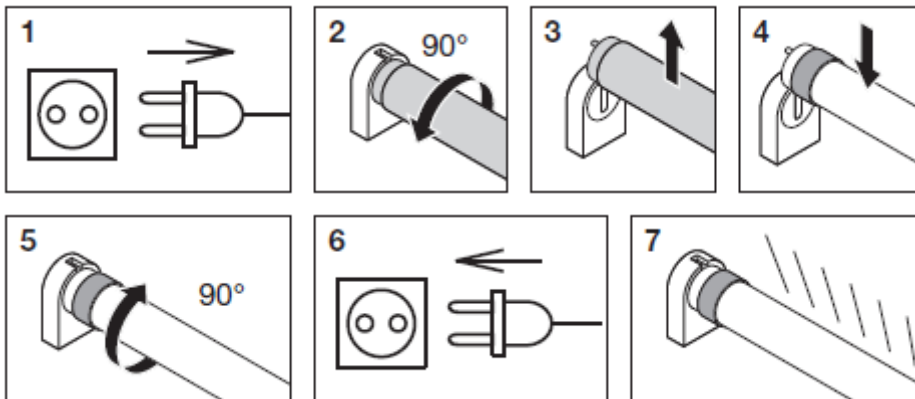


# SubstiTUBE® T8 Advanced HF

## Installation Instructions for SubstiTUBE® Advanced HF

- Always switch off the power supply prior to installation (1)
- Turn the conventional lamp 90° (2) and take it out of the socket carefully (3).
- Insert SubstiTUBE® Advanced HF into socket (4) and locate into position by turning 90° (5).
- Switch on the power supply (6).
- Check light emission direction (7).



Please check ballast compatibility prior to installation [www.ledvance.com/substiTUBE.com](http://www.ledvance.com/substiTUBE.com)

### Maximum amount of SubstiTUBE® T8 Advanced HF on one circuit breaker

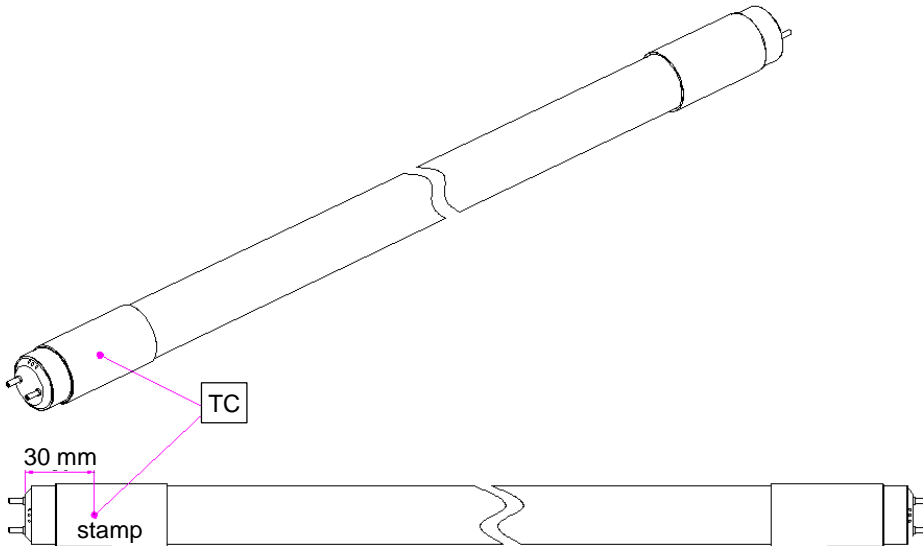
ST8A-0.6M-HF: Circuit breaker 10 A (B type) // ECG\* + 100 x T8 Advanced HF max  
Circuit breaker 16 A (B type) // ECG\* + 150 x T8 Advanced HF max

ST8A-1.2M-HF: Circuit breaker 10 A (B type) // ECG\* + 65 x T8 Advanced HF max  
Circuit breaker 16 A (B type) // ECG\* + 100 x T8 Advanced HF max

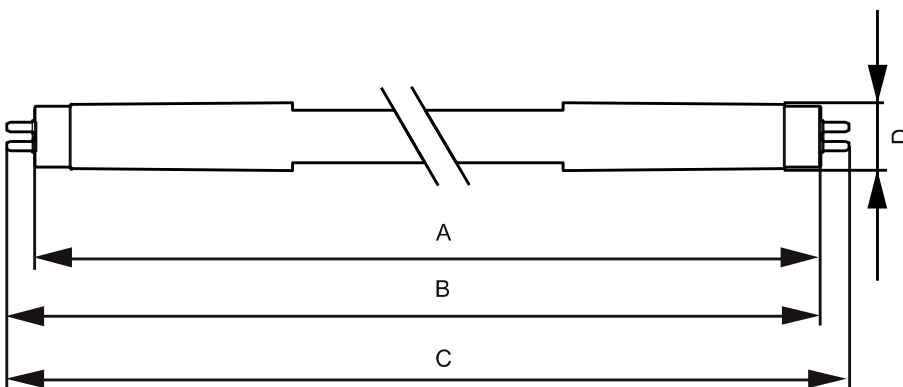
ST8A-1,5M-HF: Circuit breaker 10 A (B type) // ECG\* + 42 x T8 Advanced HF max  
Circuit breaker 16 A (B type) // ECG\* + 75 x T8 Advanced HF max

\* Reference ECG

TC point is showed as follow:



Drawings	A [mm]	B [mm]	C [mm]	D [mm]
ST8A-0.6M-HF	588,5	595,7	603	27,8
ST8A-1.2M-HF	1198,1	1205,3	1212,5	27,8
ST8A-1,5M-HF	1498,7	1505,9	1513	27,8



## Safety and Application notes

- The SubstiTUBE® Advanced HF must not be damaged or operated in a damaged condition.
- When operating with ECG,



*Lamp not suitable for emergency operation*



*Lamp suitable for high frequency operation*



*Dimming not allowed*



*Lamp to be used in dry conditions or in a luminaire that provides protection*

- **Do not use SubstiTUBE® Advanced HF in CCG luminaire !**
- SubstiTUBE® Advanced HF **can't be operated in AC 230V**. In order to grant a safe operation mode please refer to the installation instructions for further information
- The SubstiTUBE® Advanced HF emits light only with a limited angle (160°), not like a fluorescent tube with 360° output.
- Due to the characteristic light distribution of the SubstiTUBE® Advanced HF, the resulting luminaire light characteristic is likely to change. It is not guaranteed that e.g. standards for lighting at working places will be complied to after replacement. A photometric check of the installation is recommended.
- The effective energy savings depend on the efficiency of the luminaire setup to be replaced and should be considered individually in each case. Particularly ECG Electronic HF ballast losses are depending on the installed ballast.



The SubstiTUBE® Advanced HF is protected according to IP20. Applications with external risk of moisture and dust can be served with an adequately protected luminaire.

- SubstiTUBE® products differ in their diameters and geometries from fluorescent lamps. Their use in open batten luminaires with gaskets is possible if no excessive force is expended during the fixing. Obtaining the necessary IP protection in open batten luminaires with gaskets cannot be ensured.
- Photobiological Safety of lamps and lamp systems according to IEC 62471. Risk Group: Exempt

## Sales and Technical Support

Sales and technical support is given by the local LEDVANCE subsidiaries. On our worldwide homepage all LEDVANCE subsidiaries are listed with complete address and phone numbers.

## Further Information

[www.ledvance.com/Substitute](http://www.ledvance.com/Substitute)

- ECG Compatibility list
- Downloads: Eulumdat / IES files, CE declaration

# SubstiTUBE® T8 Advanced HF

## 1.2m Ballast compatibility (1200mm)

	compatible
*	compatible but may differ >10% of luminous flux of specification
	not compatible

Brand	Model	Lamps on ballast	ST8A HF 14W
			<b>Product EAN10 No.</b> 4058075819832 4058075819016 4058075819030
OSRAM	QT-FIT8 1x36	1	
	QT-FIT8 2x36	2	
	QTP8 1x36	1	
	QTP8 2x36	2	
	QT-FIT 5/8 1x18-39	1	
	QT-FIT 5/8 2x18-39	2	
	QTP-OPTIMAL 1x18-40	1	
	QTP-OPTIMAL 2x18-40	2	
	QT-FIT8 3x36	3	
QTz8 1x36/220-240	1		
Philips	HF-P 136 TL-D III IDC	1	
	HF-B 136 TLD EII 220-240	1	
	HF-S 118/136 TL-D II	1	
	HF-S 136 TL-D II	1	
	HF-S 218/236 TL-D II	2	
	HF-S 236 TL-D II	2	
	HF-P 218/236 TL-D III	2	
	HF-P 236 TLD EII 220-240	2	
	HF-B 236 TLD EII 220-240	2	
	HF-S 136 TL-D II	1	
	HF-P 236 TL-D III IDC	2	
	HF-P 336 TL-D III IDC	3	
	HF-S 336 TL-D II	3	
Helvar	EL1x36/40/18s	1	
	EL2x36/40s	2	
	EL1x36ngn	1	*
	EL2x36ngn	2	
	EL2x36sc	2	
	EL2x36HF	2	
Tridonic	PC 1/36 T8 PRO sc	1	
	PC 1/30 T8 PRO	1	
	PC 1x36 T8 TOP sl	1	
	PC 1x36 T8 PRO lp	1	
	PC 2x36 T8 TOP sl	2	
	PC 2x36 T8 PRO sl	2	
	PC 2x36 T8 TEC	2	
	PC 3/36 T8 PRO	3	
Vossloh	Type ELXc 136.200	1	
	Type ELXc 236.208	2	
	Type ELXc 236.202	2	
	Type ELXc 236.217	2	
	Type ELXc 336.214	3	
b,a,g,	BCS36.1FX-11/220-240	1	
	BCS36.2FX-11/220-240	2	
	D58.1-23021E	1	
	ECS36.2S-01/220-240	2	

# SubstiTUBE® T8 Advanced HF

## 1.5m Ballast compatibility (1500mm)

	compatible
*	compatible but may differ >10% of luminous flux of specification
	not compatible

Brand	Model	Lamps on ballast	ST8A HF 20,5W
			<b>Product EAN10 No.</b> 4058075819856 4058075819054 4058075819078
OSRAM	QT-FIT 5/8 1x54-58	1	
	QT-FIT 5/8 2x54-58	2	
	QTP-OPTIMAL 1x54-58	1	
	QTP-OPTIMAL 2x54-58	2	
	QT-FIT8 1x58-70	1	
	QT-FIT8 2x58-70	2	
	QTP8 1x58	1	
	QTP8 2x58	2	
Philips	HF-P 158 TLD EII 220-240	1	
	HF-B 158 TLD EII 220-240	1	
	HF-B 258 TLD EII 220-240	2	
	HF-P 158 TL-D III IDC	1	
	HF-P 258 TL-D EII 220-240V	2	
	HF-P 258 TL-D III IDC	2	
	HF-E 158 TL-D	1	
	HF-S 158 TL-D II	1	
	HF-S 258 TL-D II	2	
	HF-B 158 TL-D 220-240V	1	
Helvar	EL2x58ngn	2	
	EL2x58s	2	
	EL2x58HF	1	
	EL1x58HF	1	
	EL1x58ngn	1	
	EL2x58ngn	2	
	EL1x58s	1	
	EL2x58s	2	
Tridonic	PC 1x58 T8 TOP sl	1	
	PC 1x58 T8 PRO lp	1	
	PC 2x58 T8 PRO sl	2	
	PC 2x58 T8 TOP sl	2	
	PC 2x58 EOII IDC	2	
	PC 2/58 T8 PRO	2	
Vossloh	ELXc 258.219	2	
	Type ELXc 258.203	2	
b,a,g,	BCS58.1FX-11/220-240	1	
	BCS58.1SR-01/220-240	1	
	BCS58.2FX-11/220-240	2	
	D58.1-23021E	2	
	SCS58.2SR-11/220-240	2	
ABB	ABB 2x58 CF	2	
	EVG 1x58 CF	1	
	EVG 2x58 CF	2	