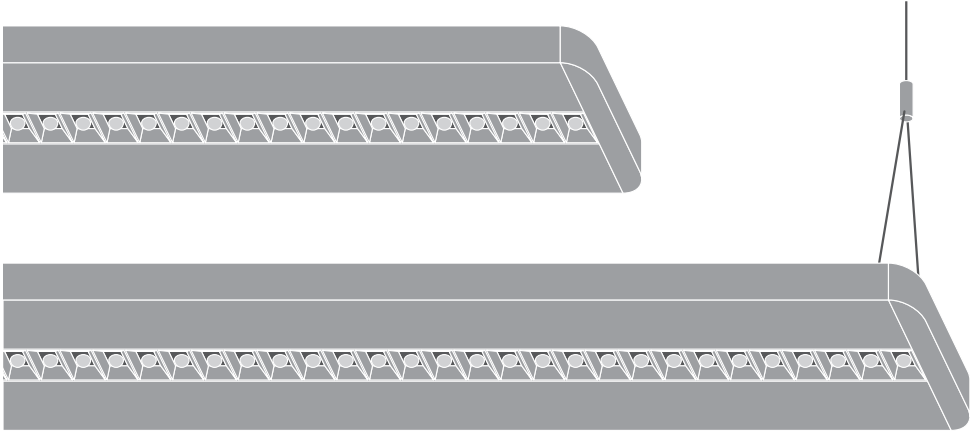



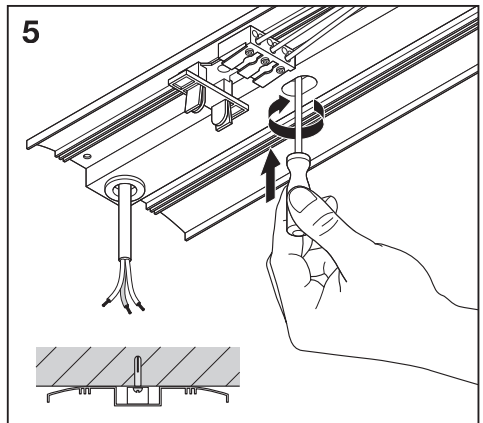
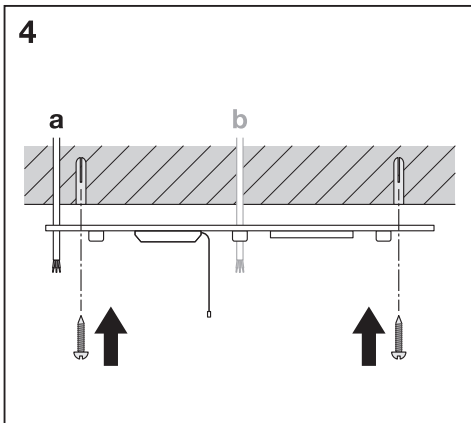
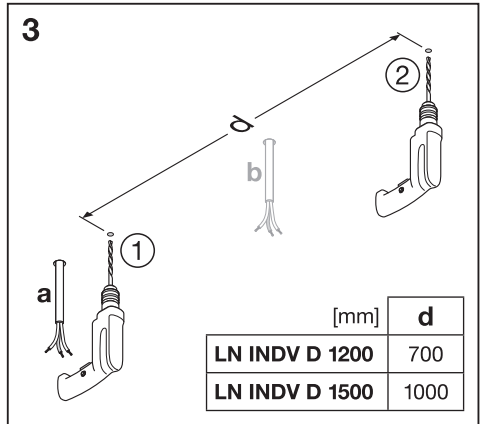
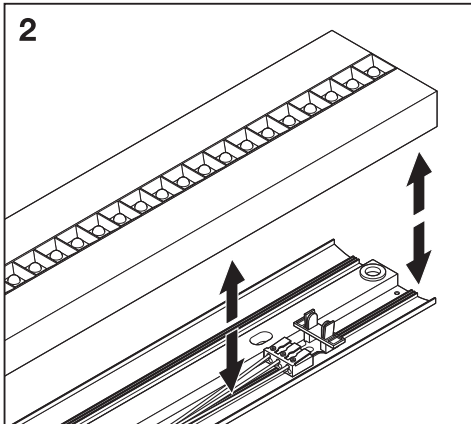
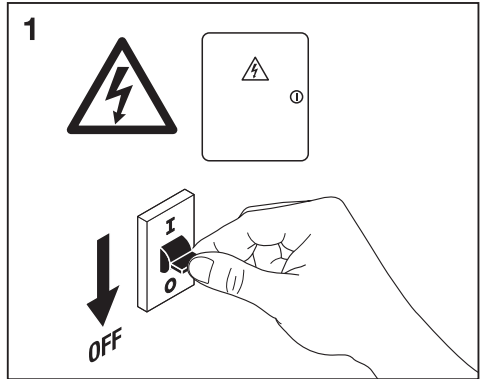
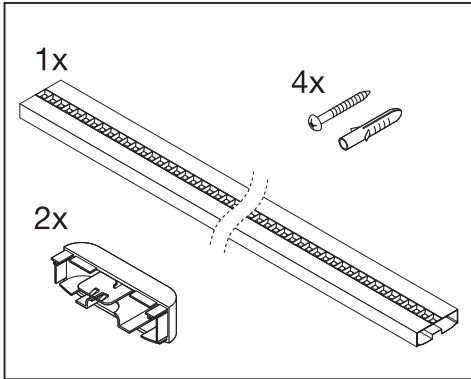
## LINEAR IndiviLED®

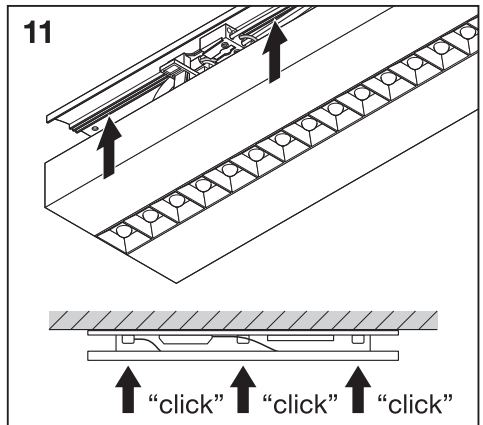
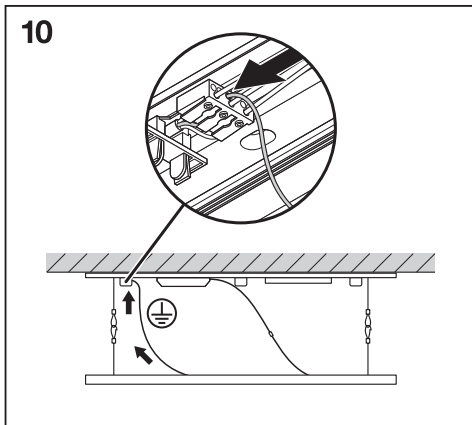
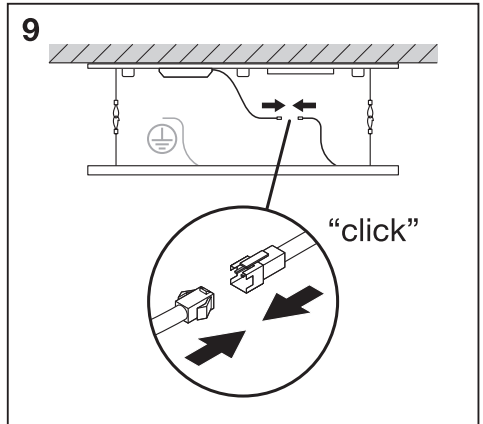
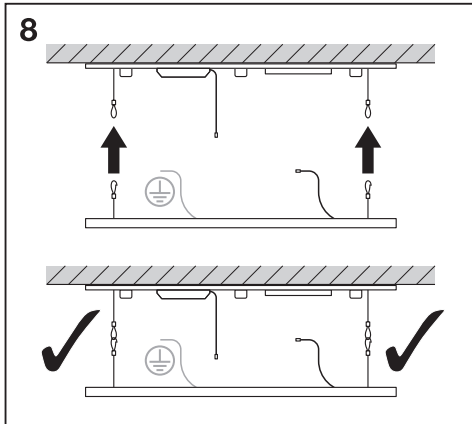
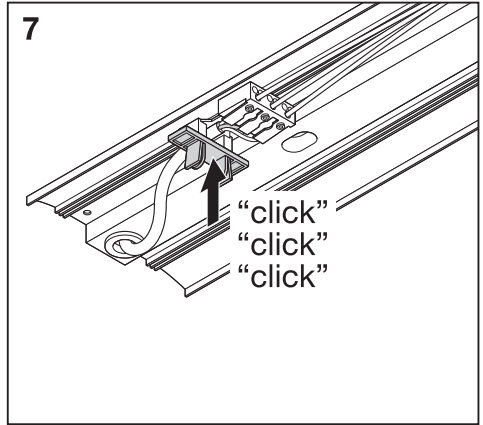
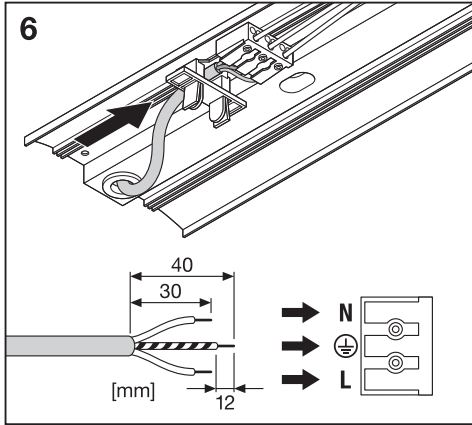


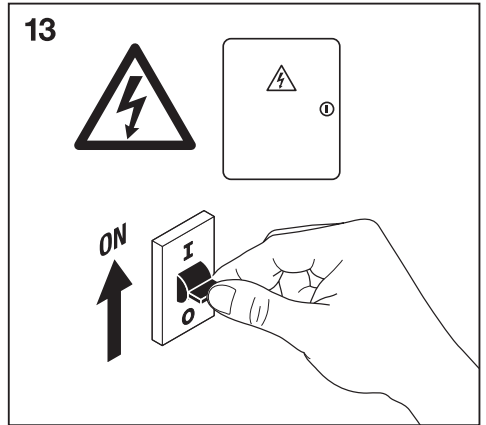
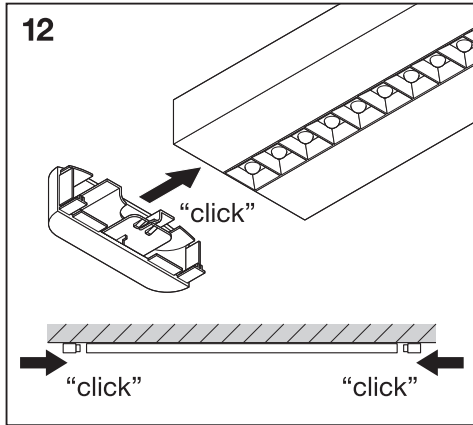
	EAN	l x w x h [mm]	W	lm	lm/W
LN INDV D 1200 34W/3000K	4058075109605	1199 x 120 x 40	34	3800	110
LN INDV D 1200 34W/4000K	4058075109629	1199 x 120 x 40	34	4200	120
LN INDV D 1500 25W/3000K	4058075109643	1488 x 120 x 40	25	3100	125
LN INDV D 1500 25W/4000K	4058075109667	1488 x 120 x 40	25	3300	125
LN INDV D 1500 48W/3000K	4058075109681	1488 x 120 x 40	48	5300	110
LN INDV D 1500 48W/4000K	4058075109704	1488 x 120 x 40	48	5700	120
LN INDV D/I 1200 42W/3000K	4058075109728	1199 x 120 x 40	42 (= 34 + 8) LED $\triangle$ 2x 28 T5 + 1x 14 T5	4650 (= 3800 + 850)	110
LN INDV D/I 1200 42W/4000K	4058075109742	1199 x 120 x 40	42 (= 34 + 8) LED $\triangle$ 2x 28 T5 + 1x 14 T5	5050 (= 4200 + 850)	120
LN INDV D/I 1500 56W/3000K	4058075109766	1488 x 120 x 40	56 (= 48 + 8) LED $\triangle$ 2x 49 T5 + 1x 14 T5	6150 (= 5300 + 850)	110
LN INDV D/I 1500 56W/4000K	4058075110441	1488 x 120 x 40	56 (= 48 + 8) LED $\triangle$ 2x 49 T5 + 1x 14 T5	6550 (= 5700 + 850)	115

	EAN	K	IP	IK	$\theta_{amb}$ (°C)	V <sub>AC</sub>	Hz	$\nabla$	PF	R <sub>a</sub>	
LN INDV D 1200 34W/3000K	4058075109605	3000	20	06	-20...+45	220-240V	50/60 Hz	70°	> 0.9	> 80	2.4 kg
LN INDV D 1200 34W/4000K	4058075109629	4000	20	06	-20...+45	220-240V	50/60 Hz	70°	> 0.9	> 80	2.4 kg
LN INDV D 1500 25W/3000K	4058075109643	3000	20	06	-20...+45	220-240V	50/60 Hz	70°	> 0.9	> 80	2.9 kg
LN INDV D 1500 25W/4000K	4058075109667	4000	20	06	-20...+45	220-240V	50/60 Hz	70°	> 0.9	> 80	2.9 kg
LN INDV D 1500 48W/3000K	4058075109681	3000	20	06	-20...+45	220-240V	50/60 Hz	70°	> 0.9	> 80	3.1 kg
LN INDV D 1500 48W/4000K	4058075109704	4000	20	06	-20...+45	220-240V	50/60 Hz	70°	> 0.9	> 80	3.1 kg
LN INDV D/I 1200 42W/3000K	4058075109728	3000	20	06	-20...+45	220-240V	50/60 Hz	70° + 120°	> 0.9	> 80	2.6 kg
LN INDV D/I 1200 42W/4000K	4058075109742	4000	20	06	-20...+45	220-240V	50/60 Hz	70° + 120°	> 0.9	> 80	2.6 kg
LN INDV D/I 1500 56W/3000K	4058075109766	3000	20	06	-20...+45	220-240V	50/60 Hz	70° + 120°	> 0.9	> 80	3.2 kg
LN INDV D/I 1500 56W/4000K	4058075110441	4000	20	06	-20...+45	220-240V	50/60 Hz	70° + 120°	> 0.9	> 80	3.2 kg

# LINEAR IndiviLED® DIRECT



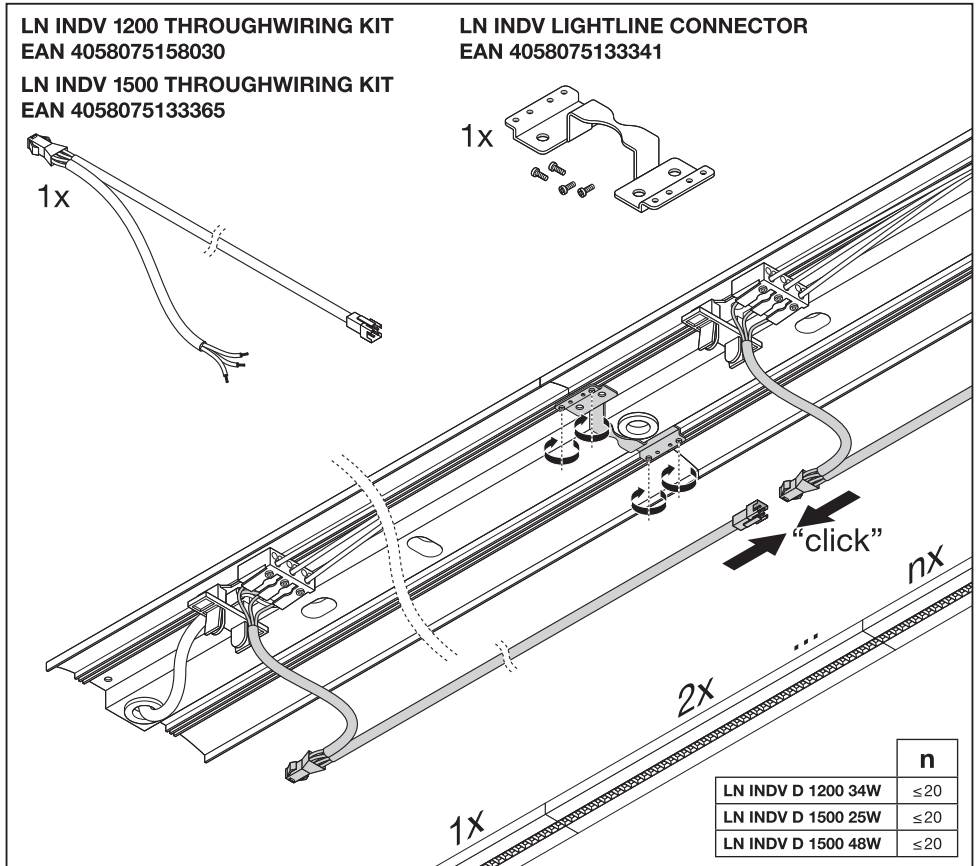
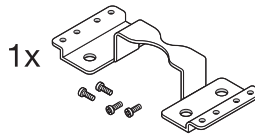
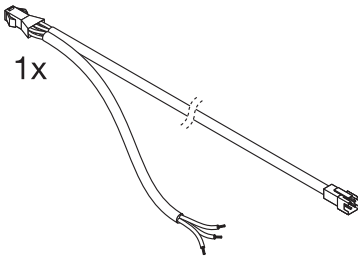




**LN INDV 1200 THROUGHWIRING KIT**  
EAN 4058075158030

**LN INDV 1500 THROUGHWIRING KIT**  
EAN 4058075133365

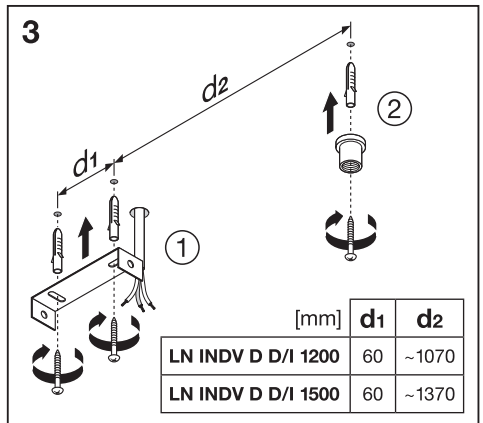
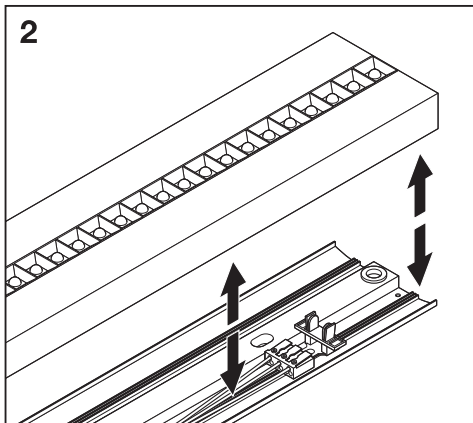
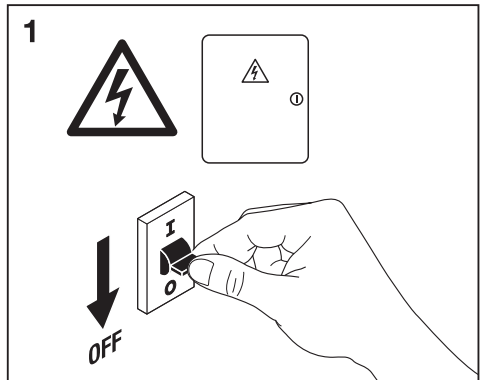
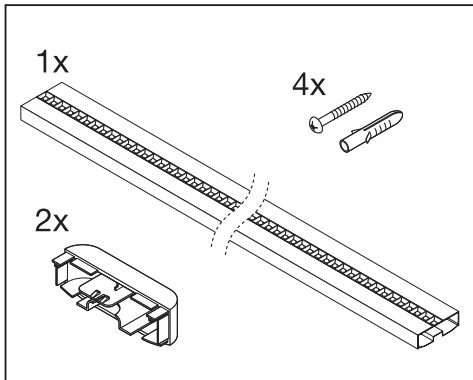
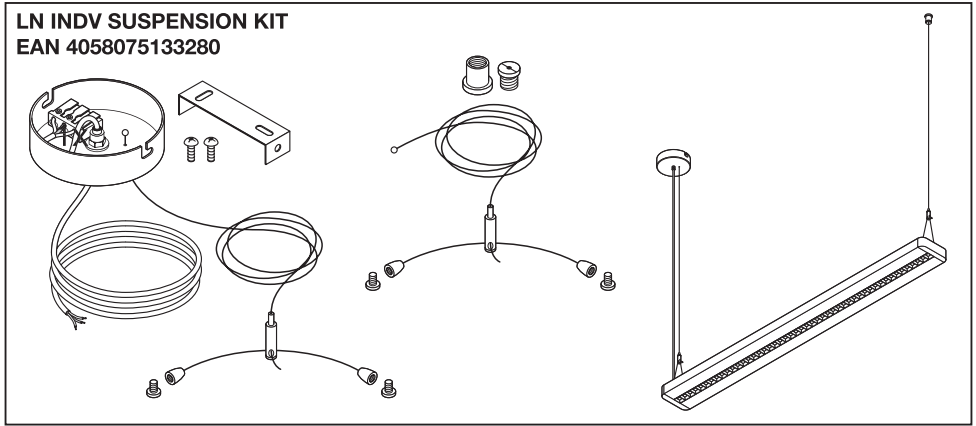
**LN INDV LIGHTLINE CONNECTOR**  
EAN 4058075133341

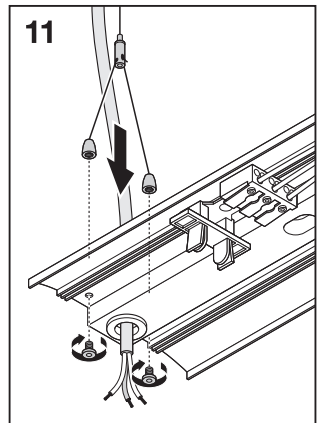
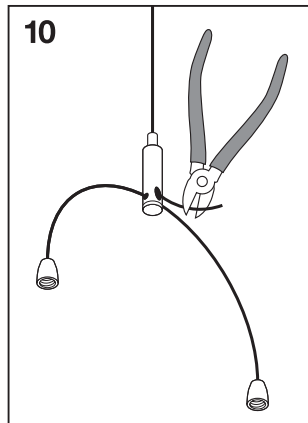
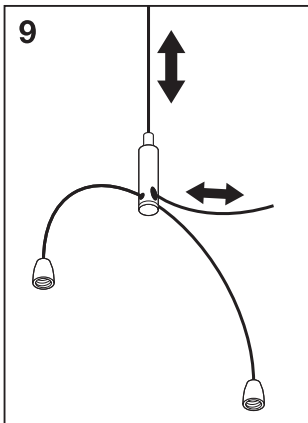
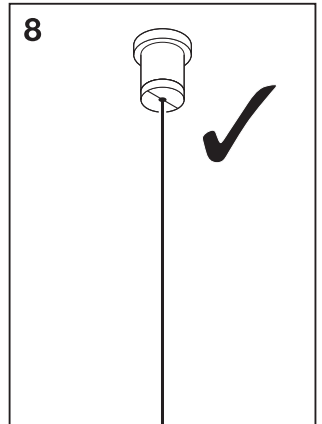
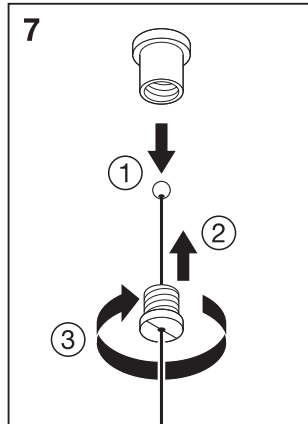
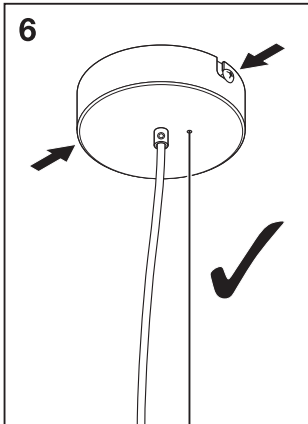
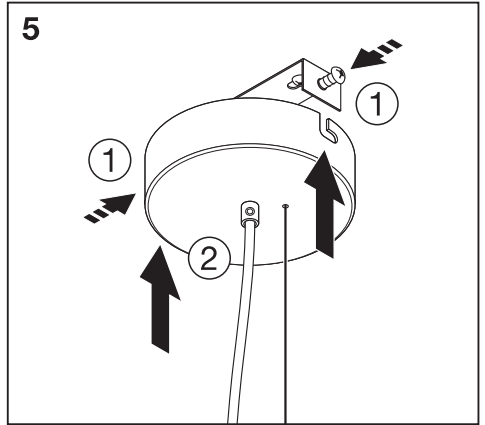
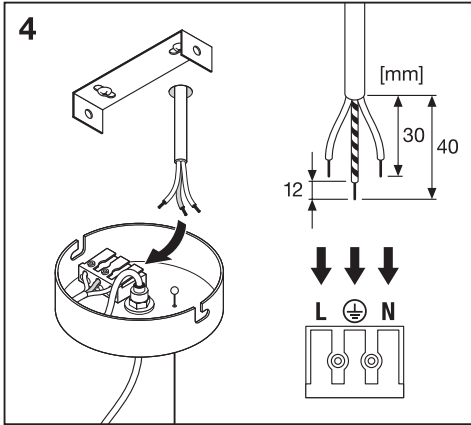


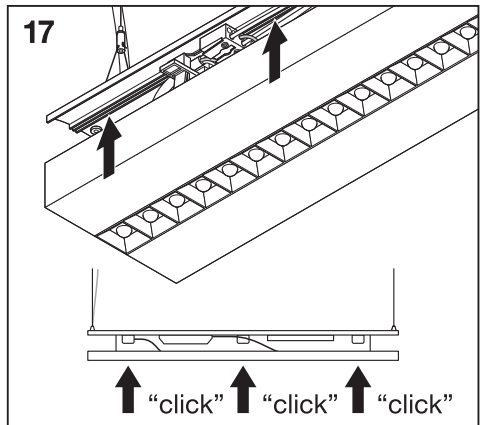
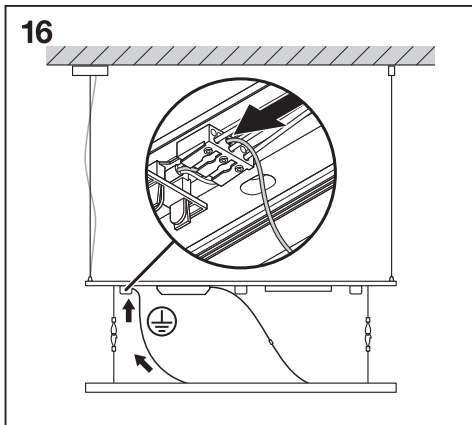
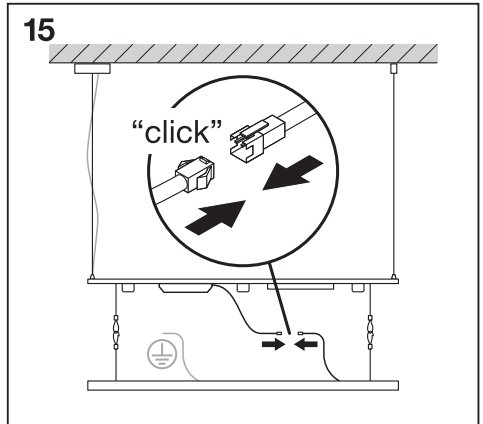
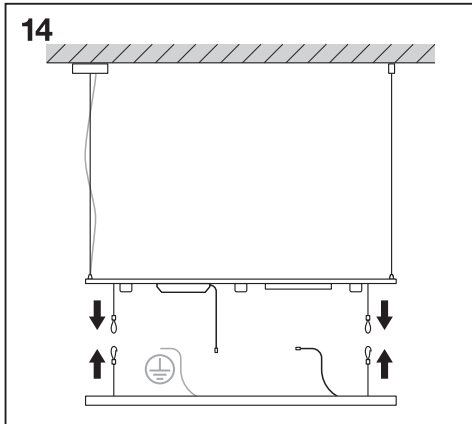
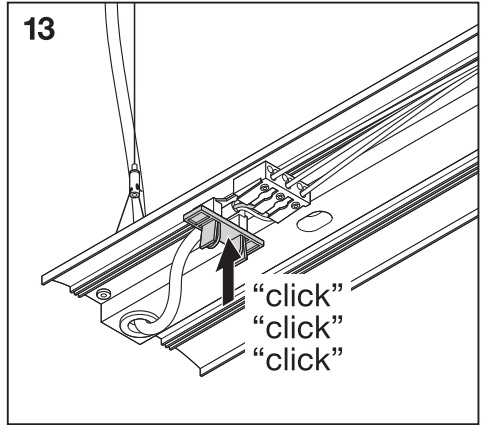
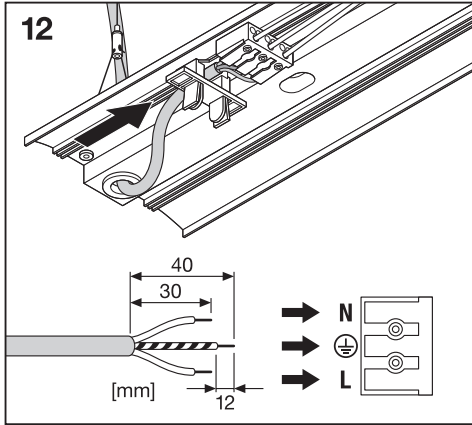
	n
LN INDV D 1200 34W	≤20
LN INDV D 1500 25W	≤20
LN INDV D 1500 48W	≤20

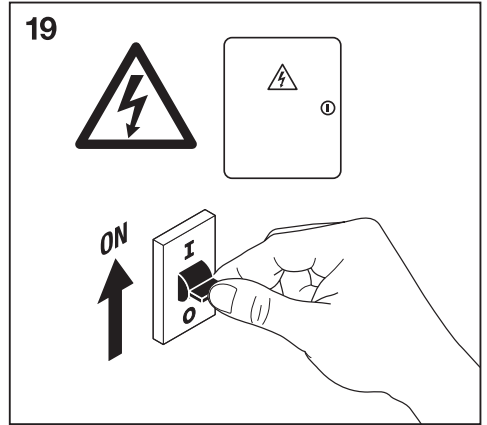
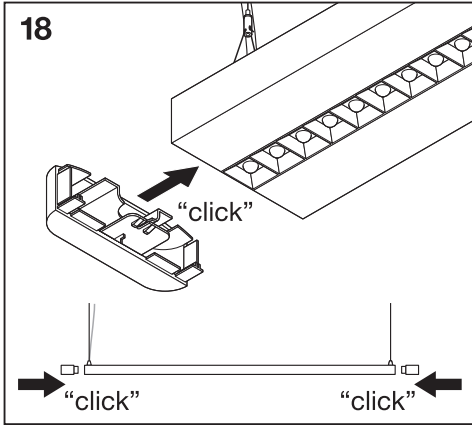
# LINEAR IndiviLED® DIRECT | DIRECT / INDIRECT

LN INDV SUSPENSION KIT  
EAN 4058075133280









**LN INDV 1200 THROUGHWIRING KIT**  
EAN 4058075158030

**LN INDV 1500 THROUGHWIRING KIT**  
EAN 4058075133365

**LN INDV LIGHTLINE CONNECTOR**  
EAN 4058075133341

**LN INDV SUSPENSION WIRE**  
EAN 4058075133327

1x

1x

1x

1x

2x

...

nx

d

1x

“click”

	[mm]	d	n
LN INDV D 1200 34W	1159	≤20	
LN INDV D 1500 25W	1448	≤20	
LN INDV D 1500 48W	1448	≤20	
LN INDV D/I 1200 42W	1159	≤20	
LN INDV D/I 1500 56W	1448	≤20	



RoHS



C10449058  
G11047890

18.06.18



LEDVANCE GmbH  
Steinerne Furt 62  
86167 Augsburg, Germany  
[www.ledvance.com](http://www.ledvance.com)