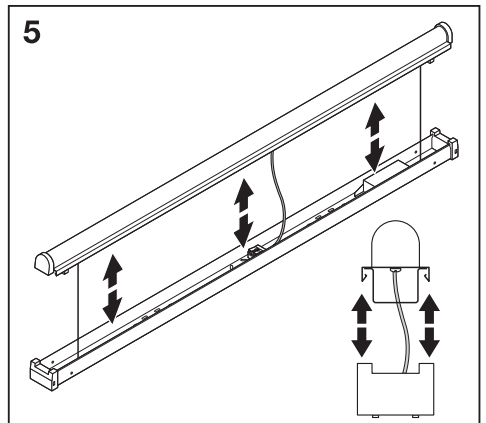
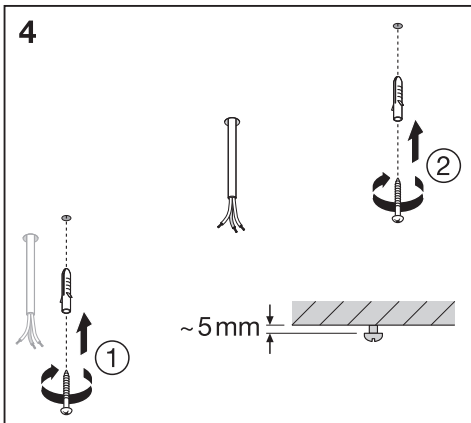
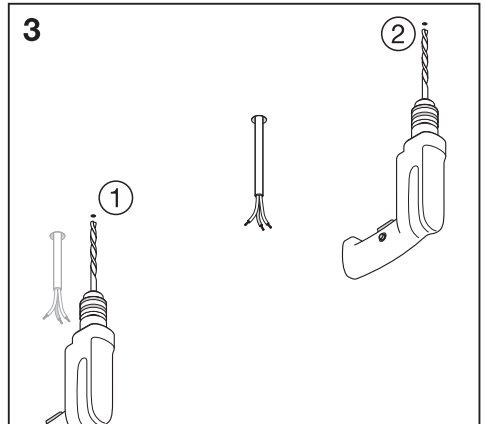
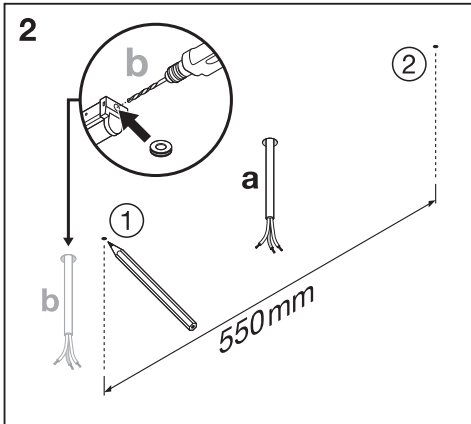
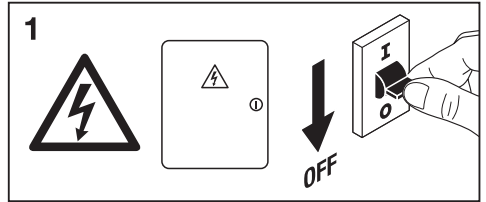
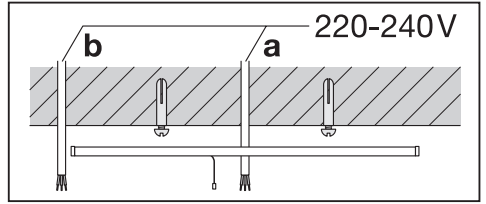
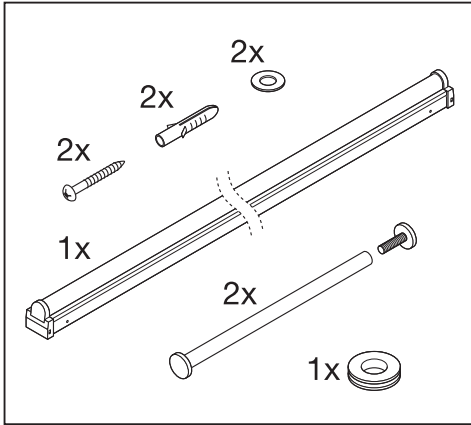


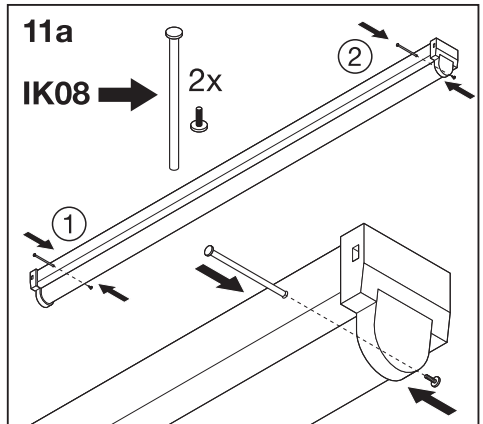
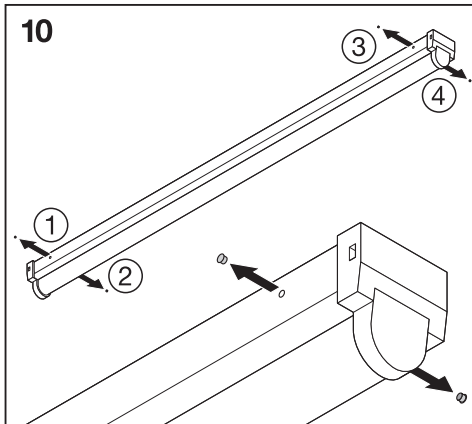
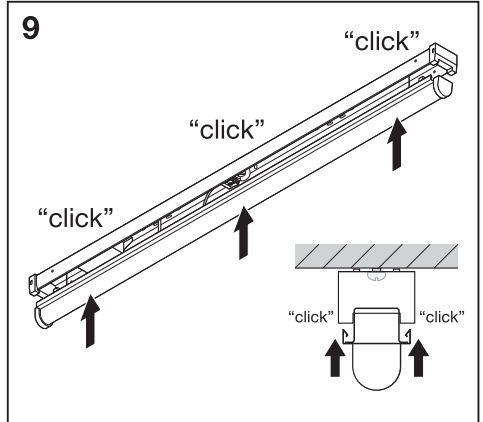
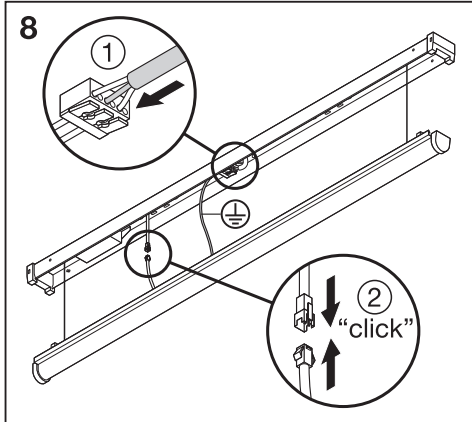
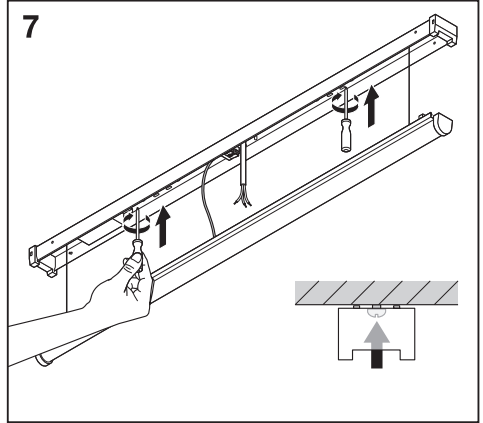
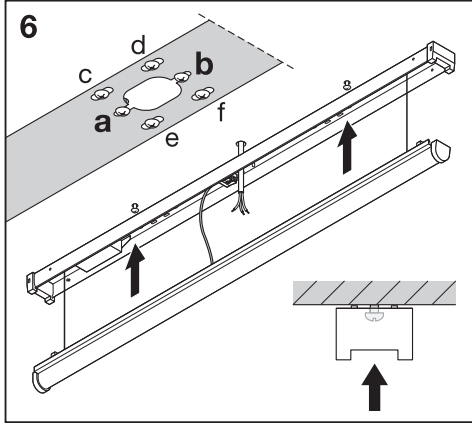
LINEAR ULTRA OUTPUT



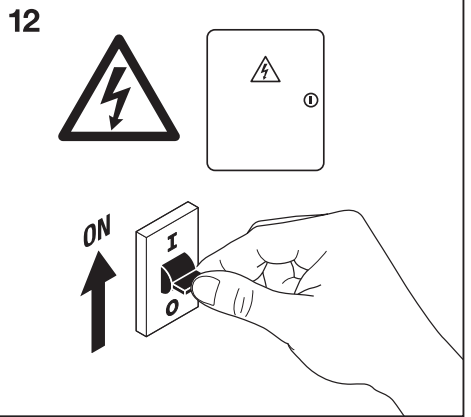
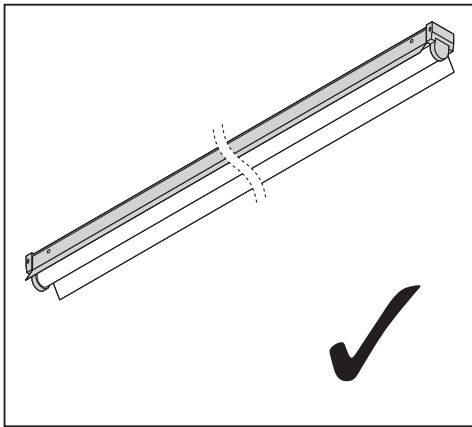
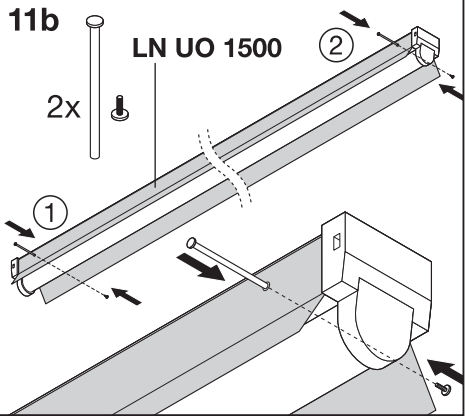
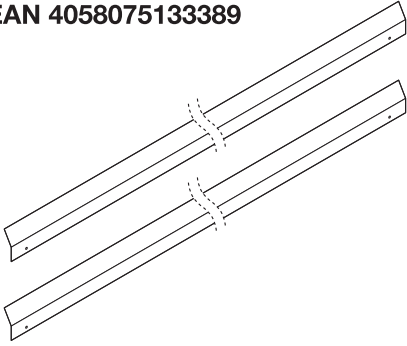
| | EAN | l x w x h [mm] | W | lm | lm/W | K | IP | IK |
|----------------------|---------------|----------------|----|------|------|------|----|----|
| LN UO 1200 25W/3000K | 4058075479937 | 1168 x 62 x 74 | 25 | 2850 | 115 | 3000 | 20 | 08 |
| LN UO 1200 25W/4000K | 4058075479951 | 1168 x 62 x 74 | 25 | 2950 | 120 | 4000 | 20 | 08 |
| LN UO 1200 33W/3000K | 4058075122147 | 1168 x 62 x 74 | 33 | 3700 | 110 | 3000 | 20 | 08 |
| LN UO 1200 33W/4000K | 4058075122161 | 1168 x 62 x 74 | 33 | 4000 | 120 | 4000 | 20 | 08 |
| LN UO 1500 30W/3000K | 4058075122185 | 1458 x 62 x 74 | 30 | 3500 | 115 | 3000 | 20 | 08 |
| LN UO 1500 30W/4000K | 4058075122208 | 1458 x 62 x 74 | 30 | 3800 | 125 | 4000 | 20 | 08 |
| LN UO 1500 46W/3000K | 4058075122222 | 1458 x 62 x 74 | 46 | 5000 | 110 | 3000 | 20 | 08 |
| LN UO 1500 46W/4000K | 4058075122246 | 1458 x 62 x 74 | 46 | 5500 | 120 | 4000 | 20 | 08 |
| LN UO 1500 60W/3000K | 4058075122260 | 1458 x 62 x 74 | 60 | 6600 | 110 | 3000 | 20 | 08 |
| LN UO 1500 60W/4000K | 4058075122284 | 1458 x 62 x 74 | 60 | 7100 | 120 | 4000 | 20 | 08 |

| | EAN | ⊕ (°C) | V _{AC} | Hz | ∇ | PF | R _a | ⊞ |
|----------------------|---------------|---------|-----------------|----------|------|-------|----------------|-------|
| LN UO 1200 25W/3000K | 4058075479937 | 0...+40 | 220-240V | 50/60 Hz | 110° | > 0.9 | ≥80 | 1.3kg |
| LN UO 1200 25W/4000K | 4058075479951 | 0...+40 | 220-240V | 50/60 Hz | 110° | > 0.9 | ≥80 | 1.3kg |
| LN UO 1200 33W/3000K | 4058075122147 | 0...+40 | 220-240V | 50/60 Hz | 110° | > 0.9 | ≥80 | 1.3kg |
| LN UO 1200 33W/4000K | 4058075122161 | 0...+40 | 220-240V | 50/60 Hz | 110° | > 0.9 | ≥80 | 1.3kg |
| LN UO 1500 30W/3000K | 4058075122185 | 0...+40 | 220-240V | 50/60 Hz | 110° | > 0.9 | ≥80 | 1.8kg |
| LN UO 1500 30W/4000K | 4058075122208 | 0...+40 | 220-240V | 50/60 Hz | 110° | > 0.9 | ≥80 | 1.8kg |
| LN UO 1500 46W/3000K | 4058075122222 | 0...+40 | 220-240V | 50/60 Hz | 110° | > 0.9 | ≥80 | 1.9kg |
| LN UO 1500 46W/4000K | 4058075122246 | 0...+40 | 220-240V | 50/60 Hz | 110° | > 0.9 | ≥80 | 1.9kg |
| LN UO 1500 60W/3000K | 4058075122260 | 0...+40 | 220-240V | 50/60 Hz | 110° | > 0.9 | ≥80 | 1.9kg |
| LN UO 1500 60W/4000K | 4058075122284 | 0...+40 | 220-240V | 50/60 Hz | 110° | > 0.9 | ≥80 | 1.9kg |

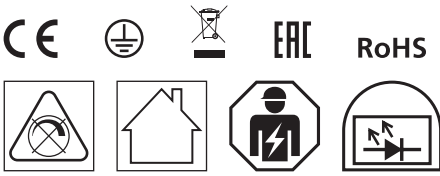




LN UO 1500 REFLECTOR
EAN 4058075133389



| n | C10 A | B16 A | C16 A |
|----------------------|-------|-------|-------|
| LN UO 1200 25W/3000K | 33 | 41 | 53 |
| LN UO 1200 25W/4000K | 33 | 41 | 53 |
| LN UO 1200 33W/3000K | 33 | 41 | 53 |
| LN UO 1200 33W/4000K | 33 | 41 | 53 |
| LN UO 1500 30W/3000K | 17 | 21 | 27 |
| LN UO 1500 30W/4000K | 17 | 21 | 27 |
| LN UO 1500 46W/3000K | 15 | 19 | 24 |
| LN UO 1500 46W/4000K | 13 | 19 | 24 |
| LN UO 1500 60W/3000K | 15 | 17 | 22 |
| LN UO 1500 60W/4000K | 13 | 17 | 22 |



C10449057
 G11034903V3
 27.04.18

LEDVANCE GmbH
 Steirnerne Furt 62
 86167 Augsburg, Germany
www.ledvance.com